

DESCRIPTIONS

Designed for wall and ceiling applications, this fire-rated Insulated Access Door is UL and Warnock-Hersey listed. Engineered with mineral fiber to assist in reducing heat transfer in the event of a fire.

FEATURES

- **FIRE-RATED** - Independently tested and labeled for 1-1/2 hours for wall applications and 3 hours for ceiling applications.
- **EASY OPERATION** - This self-closing door features an inside knurled knob latch release is easy to operate.
- **CUSTOM SIZING** - Custom sizes available from 6 inches by 6 inches to 48 inches by 48 inches.

SPECIFICATIONS

DOOR: 20 gauge Steel, Self-Closing

FRAME: 16 gauge Steel

SIZE:

- Min: 6 inches by 6 inches
- IT Max: 24 inches by 72 inches or 48 inches by 48 inches
- IW/IP Max: 36 inches by 48 inches

INSTALLATION: Wall or Ceiling

FLANGE: 1 inch Exposed, Drywall Bead or Plaster Bead

HINGE:

- IT: Flush Continuous Piano
- IW/IP: Concealed Pin

INSULATION: 2 inch Fire-Rated Mineral Fiber; R-8

FINISH: White Powder Coat

WARRANTY: 1 year

OPTIONS: Flanges, Latches, Materials, Gaskets, Anchors



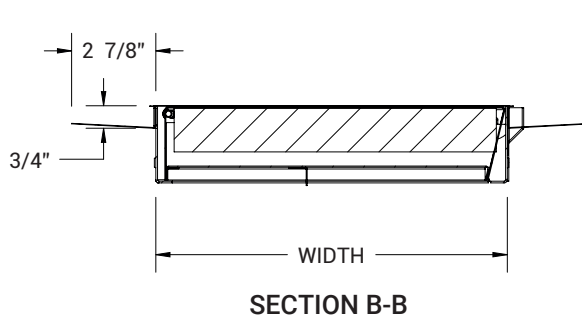
DIMENSIONS AND APPEARANCE

>> [CLICK TO VIEW ADDITIONAL DETAILS AND PRICING](#) <<

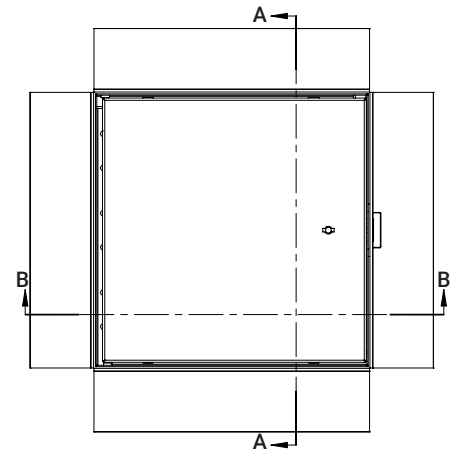
ORDER GUIDE:

BASE	FLANGE	LATCH	WIDTH	X	LENGTH	OPTIONS	
I							
	T - 1 inch Flange W - Drywall Bead P - Plaster Bead	K - Knurled Knob / Key Operated Latch Bolt M - Mortise Lock (1-1/8") Prep	STANDARD SIZES (W X L) 8" x 8" 18" x 24" 24" x 48"* 10" x 10" 20" x 30" 30" x 30"* 12" x 12" 22" x 22" 32" x 32"* 12" x 18" 22" x 30" 36" x 36"* 12" x 24" 22" x 36" 36" x 48"* 14" x 14" 24" x 24" 48" x 48"* 16" x 16" 24" x 30" 18" x 18" 24" x 36"			B - Galvannealed G - Gasketing M - Masonry Anchors G - Stainless Steel, Type 304	

Rough opening is door size + 1/4 inch minimum. | Additional sizes available, call for more information.
*Wall application only.



SECTION B-B



For detailed specifications see submittal sheet

For a complete list of options visit www.AccessDoorsAndPanels.com

PROJECT DATA

Custom Sizes Available - Fast!

Scan or Click



To view Pricing and Additional Product Info.

PROJECT NAME :	QTY	W	H	OPTIONS
ARCHITECT :				
DEALER :				
CONTRACTOR :				
LOCATION :	SPECIAL INSTRUCTIONS :			
DATE :	SUBMITTAL APPROVAL : (signature or stamp)			
TAGGING INSTRUCTIONS :				

TELEPHONE:
1-888-457-1275
FAX:
1-888-626-2907



PO BOX 66738 #76520,
SAINT LOUIS, MO
63166-6738
USA

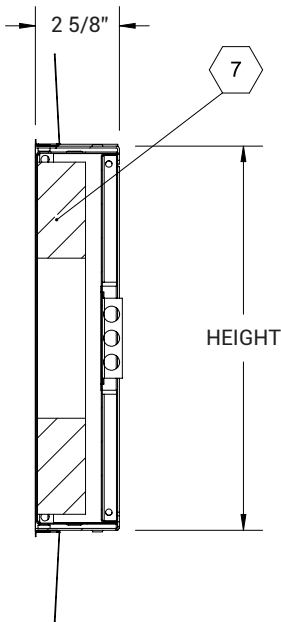


WEBSITE:
www.AccessDoorsAndPanels.com
E-MAIL:
info@AccessDoorsAndPanels.com

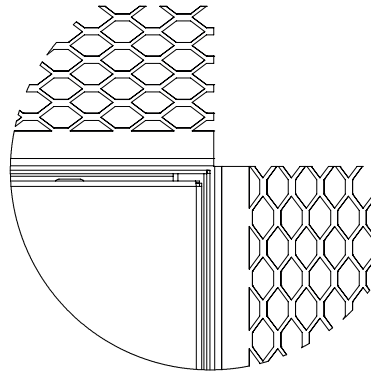


N IPK

INSULATED FIRE-RATED ACCESS DOOR

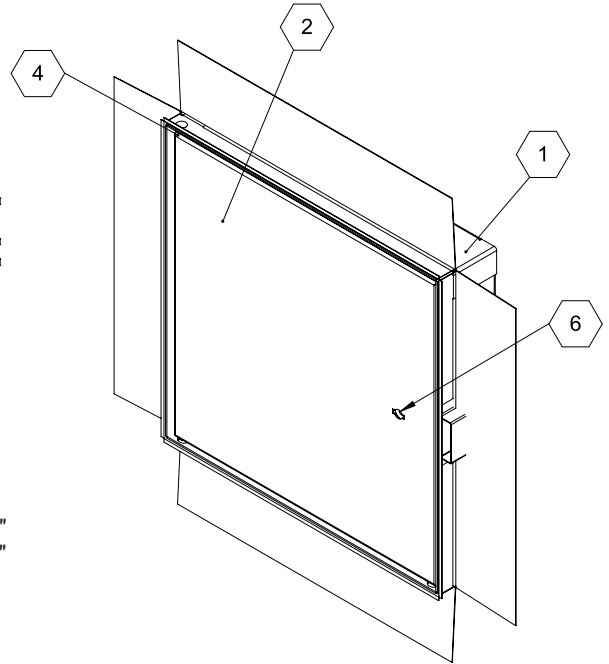


SECTION A-A



DETAIL D
PLASTER BEAD DETAIL
SCALE 1 : 4

ROUGH OPENING: W + 0.25" x H + 0.25"
CLEAR OPENING: W - 3.25" x H - 1.125"
DEGREE OF OPENING: 120°



NOTES:

- ① FRAME:
- ② DOOR: Cold Rolled Steek, 20 ga
- ③ FINISH: White Powder Coat
- ④ HINGE:
- ⑤ SECONDARY LATCH: Varies
- ⑥ LOCK: Knurled Knob/Keyed Slam Latch
- ⑦ INSULATION: 2" Thick Fire Rated Mineral Wool, 8 R-Value

OPTIONS:

- - Gasket Installed (G)
- - Masonry Anchors (M)

CERTIFICATION

UL listed "B" label for 1-1/2 hours (Wall)
Warnock-Hersey listed for 3 hours (Ceiling)



HORIZONTAL

1 HR WOOD-FRAME CONSTRUCTION
3 HR NON-COMBUSTABLE CONSTRUCTION
ON SIZES UP TO AND INCLUDING 24" W X 36" H.

VERTICAL

1-1/2 HOUR "B" LABEL



N IPK

INSULATED FIRE-RATED ACCESS DOOR

